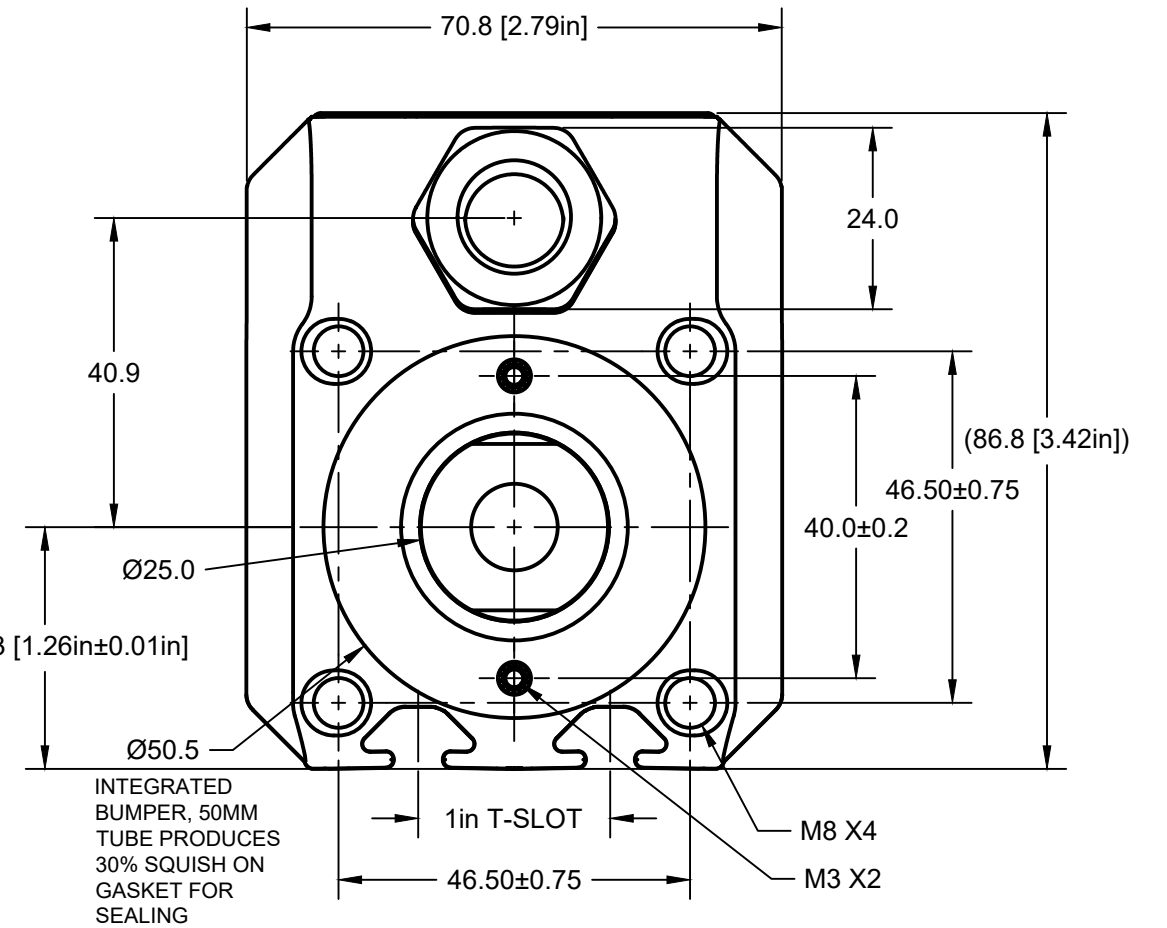
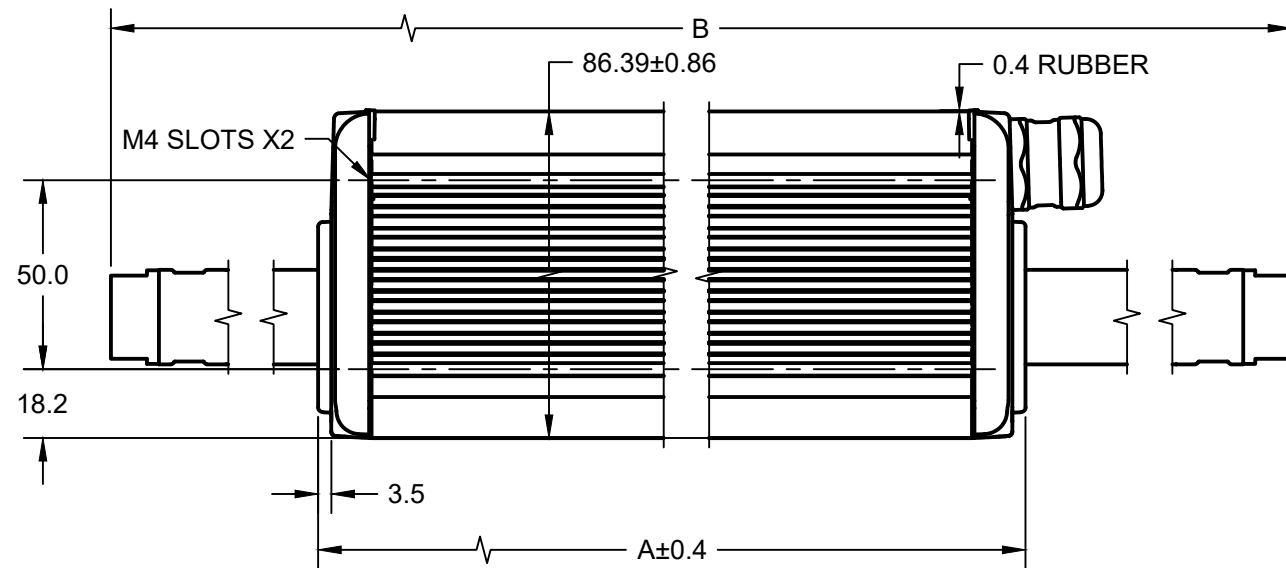


**SIDE VIEW
SCALE: 1:2
TANGENT LINES SHOWN**



**END VIEW
SCALE: 1:1
TANGENT LINES SHOWN**

REV	DRAWN	CHECKED	APPROVED	COMMENTS	MM/DD/YYYY
1	DRA	CAD	CAD	Drawing Created	05/19/2023

ORCA TYPE	A STATOR LENGTH	B STANDARD SHAFT LENGTH (in)	WEIGHT (kg)
ORCA-6	175.4	15	2.4
ORCA-15	404	30	5.3

MATERIAL
Aluminum and 40%GF PP
STOCK MATERIAL

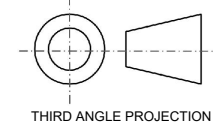
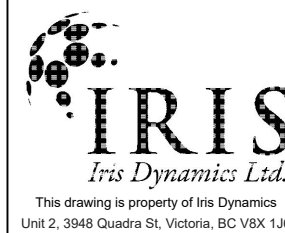
COATING/FINISH
Anodized

ALL DIMENSIONS IN MM UNLESS
OTHERWISE STATED

TOLERANCES:
ANGULAR: +/- 0.5°

LINEAR:
X +/- 0.40 mm
.X +/- 0.25 mm
.XX +/- 0.1 mm

BREAK SHARP EDGES AND CORNERS
UNLESS OTHERWISE STATED



THIRD ANGLE PROJECTION

PART NUMBER					
TITLE Stator and Shaft General Dimensions					
PROJECT Orca Series Motors					
SIZE	DWG NO	DATE (MM/DD/YYYY)		REV	
B		05/19/2023		1	
SCALE		WEIGHT N/A		SHEET 1/1	