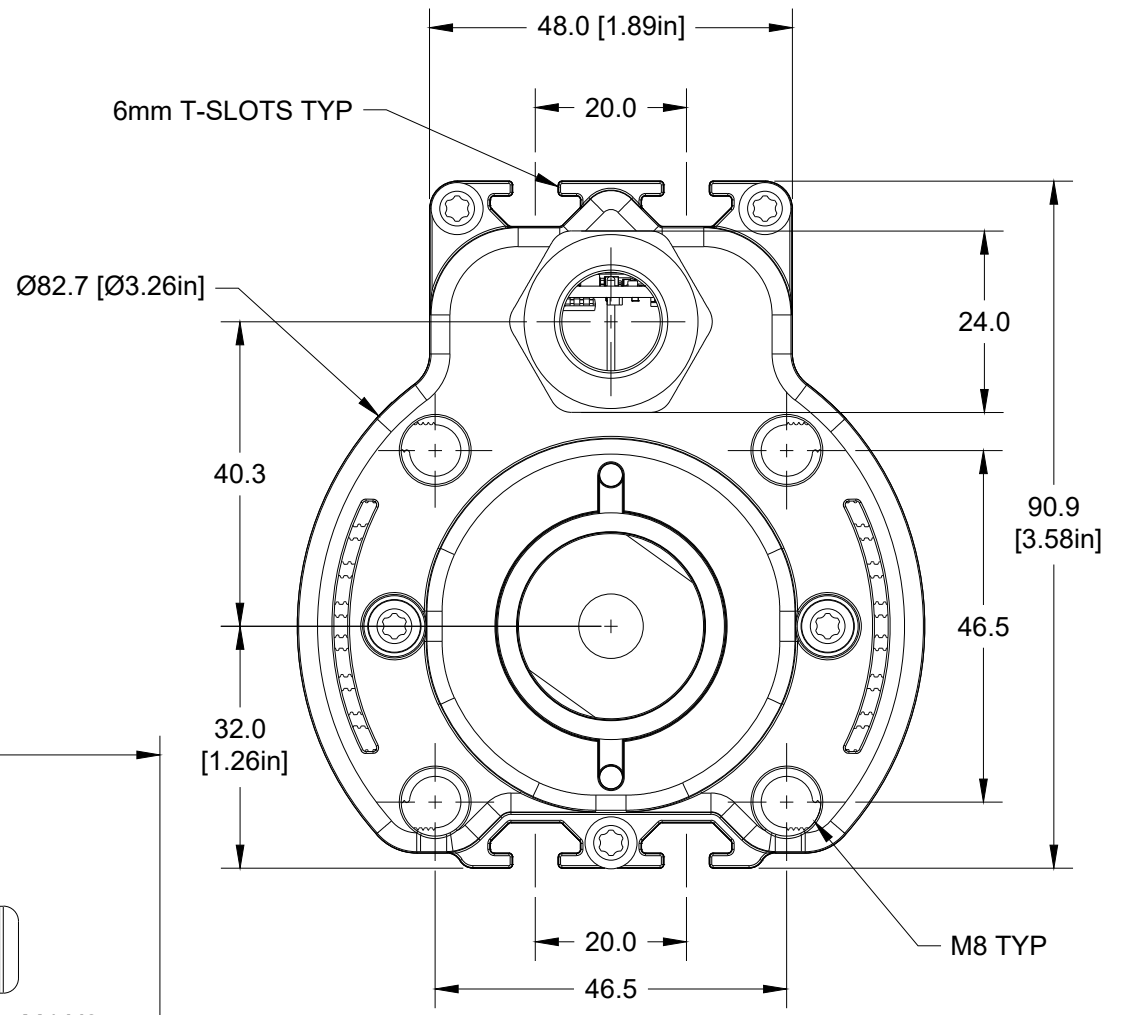


**SIDE VIEW**  
**SCALE: 1:2**  
**TANGENT LINES SHOWN**



**END VIEW**  
**SCALE: 1:1**  
**TANGENT LINES SHOWN**

REV	DRAWN	CHECKED	APPROVED	COMMENTS	DD/MM/YYYY
1	DRA		PM	Drawing Created	11/02/2022

**MATERIAL**  
 Aluminum  
 STOCK MATERIAL

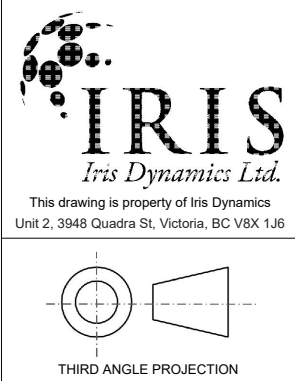
**COATING/FINISH**  
 Anodized Black

ALL DIMENSIONS IN MM UNLESS OTHERWISE STATED

**TOLERANCES:**  
 ANGULAR: +/- 0.5°

**LINEAR:**  
 X +/- 0.40 mm  
 .X +/- 0.25 mm  
 .XX +/- 0.1 mm

BREAK SHARP EDGES AND CORNERS UNLESS OTHERWISE STATED



PART NUMBER		115-001	
TITLE		Orca-15 General Dimension	
PROJECT		Orca-15	
SIZE	DWG NO	DATE (DD/MM/YYYY)	REV
B	115-001	11/02/2022	A
SCALE	WEIGHT 5kg No Shaft	SHEET 1/1	